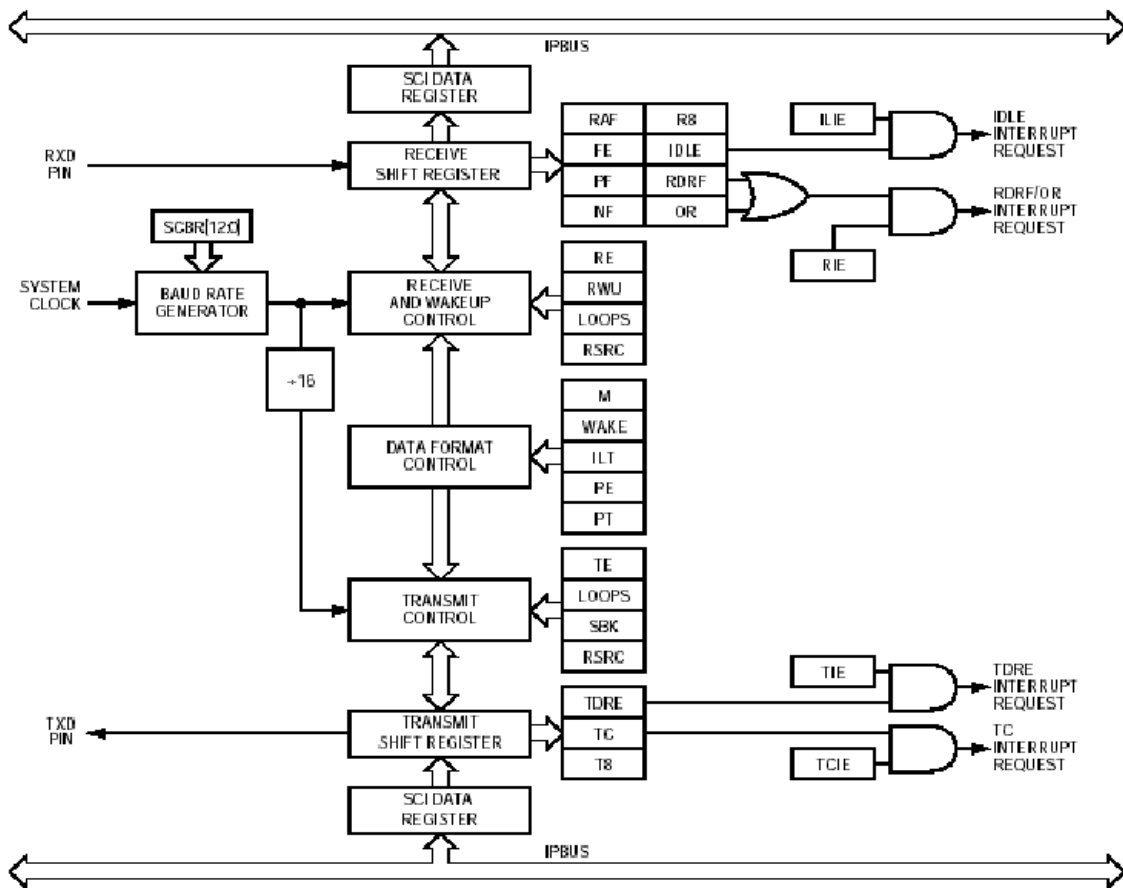


SCI

Serial Communications Interface Module

Summary

The serial communications interface (SCI) allows asynchronous serial communications with peripheral devices and other microcontroller units (MCU).



SCI Block Diagram

Features

- Full-duplex operation
- Standard mark/space non-return-to-zero (NRZ) format
- 13-bit baud rate selection
- Programmable 8-bit or 9-bit data format
- Separately enabled transmitter and receiver
- Separate receiver and transmitter CPU interrupt requests
- Two receiver wakeup methods
- Interrupt-driven operation with eight flags
- Receiver framing error detection
- Hardware parity checking
- 1/16 bit-time noise detection
- General-purpose I/O capability

Performance and Characteristics

- Frequency (WCS): 100 MHz
- Die Size: 0.029 mm²
- Process: 0.18μm (WCS, 1.62V, 120°)

Application Examples

- Communication with PC or other MCU

Availability

- Q2, 2003

To obtain more information about the SCI or other C*Core™ products, please contact the C*Core Technology Co., Ltd. by phone: 0512-68091377, email: support@china-core.com or web: <http://www.china-core.com>.

C*Core™ is a trade mark of C*Core Co., Ltd.